

## HYDROZON® compact filter units P30 – small and refined

The new high-quality HYDROZON® compact filter systems P30 make the provision of chlorine-free wellness water in any private swimming and bathing pool or whirlpool child's play.

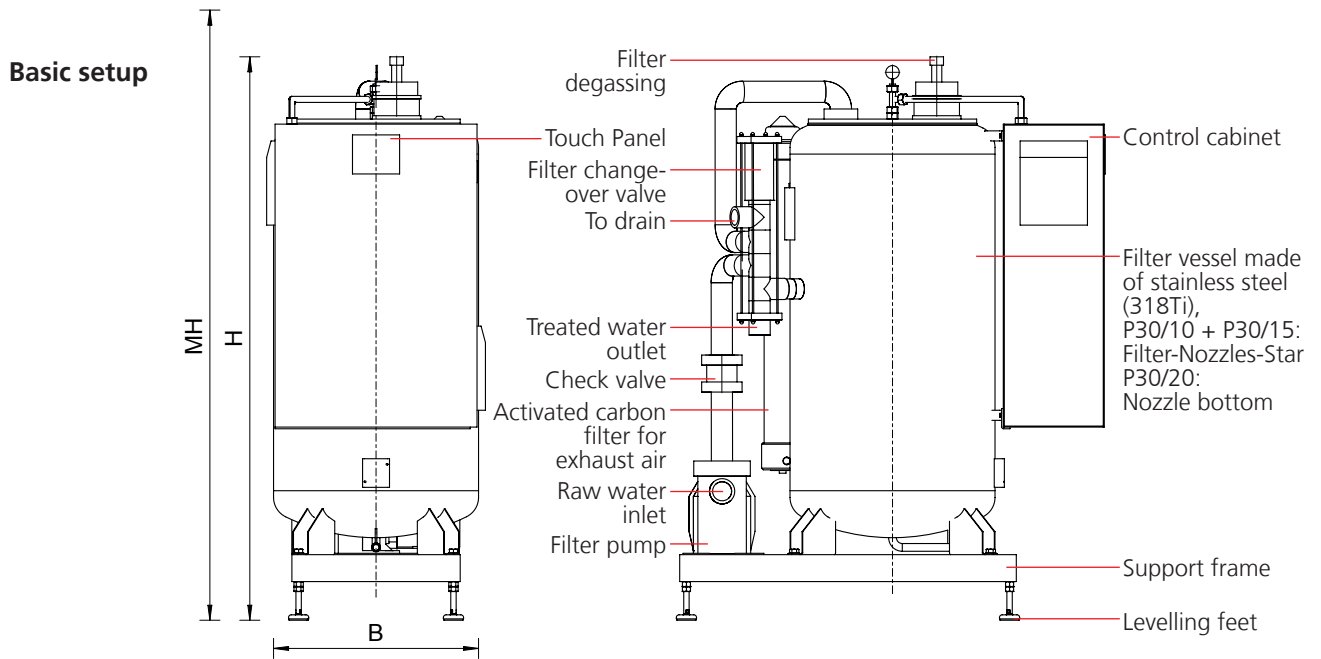
The latest technologies and decades of experience with the chlorine-free method have been optimally combined in the new P30 generation of systems. The result is a compact, efficient and visually attractive series of units that impress with their uniqueness on the market. You can look forward to a reliable and easy-to-use system, along with perfect water quality.

- Design**
- All the necessary operating components are housed together to form a compact, ready-to-connect and CE-tested performance unit that takes up very little space.
  - The system operates fully automatically. All parameters relevant to operation are displayed and adjusted on the touch panel on the front of the system.
  - The process-related components such as the plasma ozone generator, oxygen concentrator, PLC etc. are housed together in the stainless steel control cabinet. The room air in the service room is monitored by an ozone sensor.
  - Fully automatic filter and flushing operations are carried out by an energy-efficient filter pump, an optimised Venturi/injection system for efficient ozone mixing and a change-over valve.
  - The systems can be coupled with a higher-level control system or swimming pool control via network or external inputs/outputs

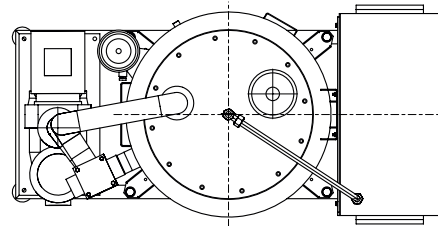
- Extensions**
- Measuring systems:  
pH, temperature, bromine, Redox
  - Dosing systems:  
pH, flocculant, bromide
  - Remote control:  
Additional panel in bathing area,  
web interface for mobile devices/PC
  - HYDROZON® central control
  - Control integration external components possible



Data	Type	Treatment capacity [m <sup>3</sup> /h]	Ozone quantity [g/h]	Power consumption [kW]	Backwash water/Rinse [m <sup>3</sup> ]
	P30/10	10	up to 10	1.55	0.50
	P30/15	15	up to 20	1.90	0.75
	P30/20	20	up to 30	2.40	1.00



**Operation conditions** (installation site)  
 Max. input pressure 1,5 bar  
 Max. temperature 40 °C  
 Supply-Voltage 3 x 400 V/50 Hz, 16 A  
 Earth leakage breaker on site 30 mA



**Dimensions**

Type	Dimensions (H x B x T) [mm]	Filter diameter (øD) [mm]	Required installation height (MH) [mm]	Control cabinet (H x B x T) [mm]
P30/10	1340 x 750 x 1020	ø 500	approx. 1600	900 x 600 x 300
P30/15	1560 x 750 x 1150	ø 620	approx. 1800	900 x 600 x 300
P30/20	1700 x 800 x 1320*	ø 800	approx. 2100	900 x 600 x 300

\*Delivery without support frame, with levelling feet at the filter!

**Optional** Brine water resistant design available on request.



**Consultation/sales services provided exclusively by our specialist premium partners**

**Contact**

